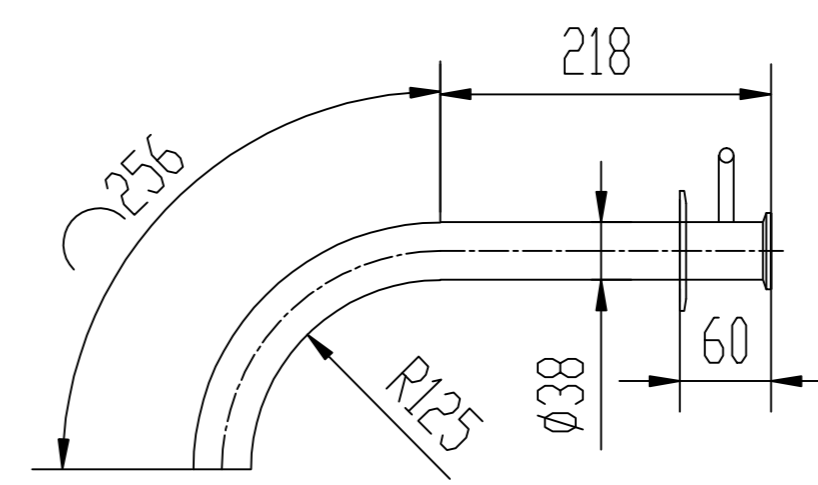


Technique parameter		
	inner tank	jacket
material	304	304
working pressure MPa	0.15	0.3
design pressure MPa	0.15	0.3
tatal volume	534L	
working volume	400L	



man hole



### Specification

symbol	spec	connecting style	name
a	1.5"	Tri-clamp	outlet
b	1.5"	Tri-clamp	outlet
c	1.5"	Tri-clamp	Relief valve
d	4"	Tri-clamp	hop prot
e	2.5"-1.5"	Tri-clamp	cleaning hole
f	ø430x330	quick-opened	man hole
g	1.5"	Tri-clamp	Thermometer
h	1.5"	Tri-clamp	sample hole
i	1.5"	Tri-clamp	Glycol outlet
j	1.5"	Tri-clamp	Glycol inlet
k	1.5"	Tri-clamp	CO2 Connection

